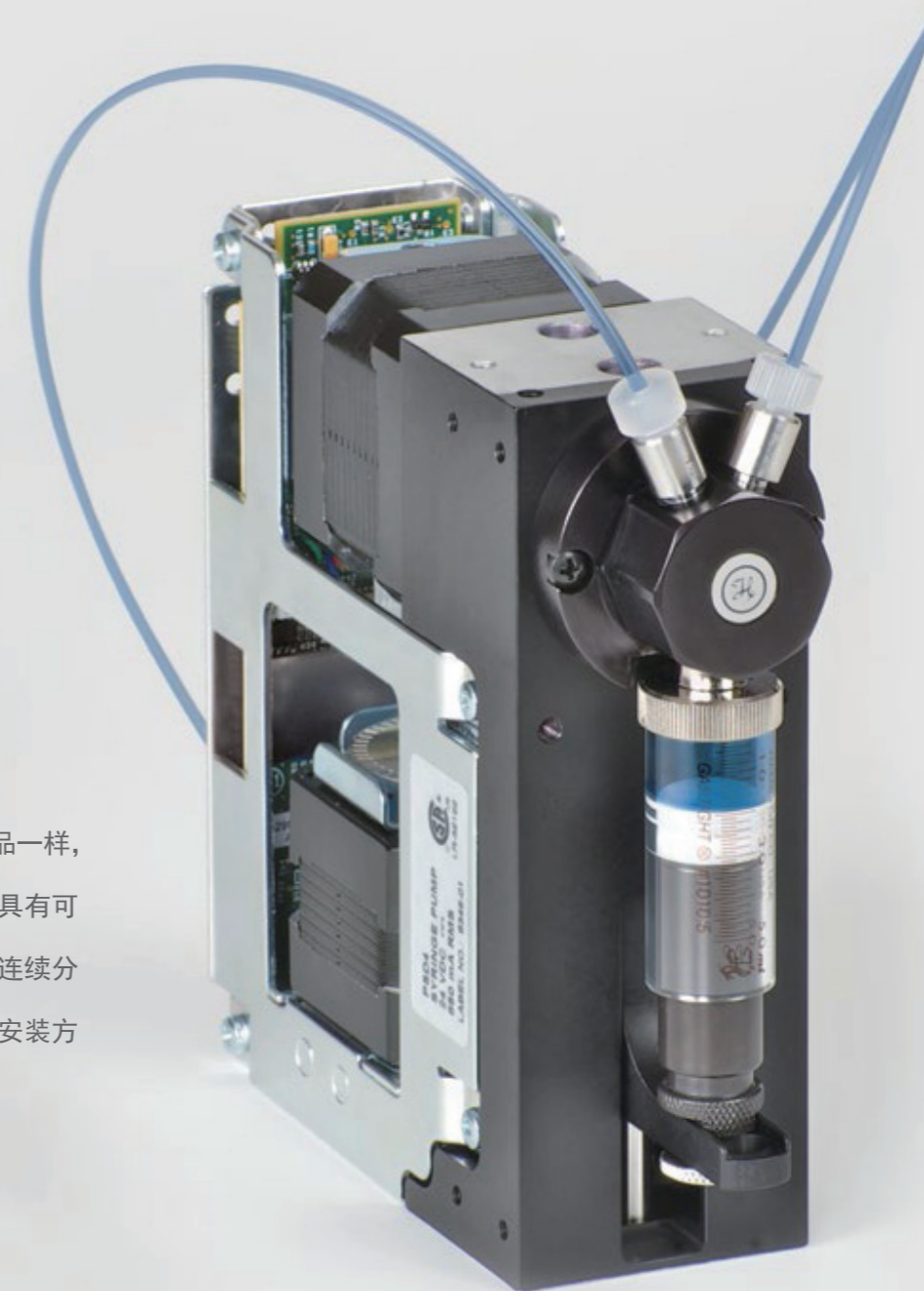


## PSD/4技术规格

参数	
准确度	± 1% at 100% stroke
重复精度	≤ 0.05% at 100% stroke
流路	Borosilicate glass, PTFE, PFA, CTFE, ETFE, UHMW-PE, or ceramic
重量	2.6 lbs (1.2 kg)
RoHS	Yes
推力	20 lbf. (9.07 kgf.)
供电	
电压	24 VDC
电流	850 mA maximum
注射器和驱动	
注射器规格	12.5 µL to 12.5 mL
注射器材料	Glass barrel, PTFE or PFA insert, stainless steel or aluminum plunger with PTFE coating, PTFE or UHMW-PE plunger tip
精度	Selectable 3,000 steps (standard) / 24,000 steps (high)
注射器驱动	Stepper motor driven lead screw and optical encoder
行程长度	30 mm
注射器速度	1 second to 50 minutes per stroke
阀和驱动	
阀驱动速度	250 ms per 120° rotation
阀驱动	Stepper motor with optical encoder feedback
阀连接	¼" – 28
阀材料	CTFE, PTFE, ETFE, or ceramic
流路直径	All valves: 0.060" (1.524 mm) unless otherwise noted
通讯	
类型	RS-232, RS-485, or CAN
协议	Terminal and standard
波特率	9600 or 38,400 (RS-232 or RS-485); 100,000 or 125,000 (CAN)
数据位	8
奇偶校验	None
停止位	1, Half duplex
链长度	Up to 16 individual pumps
可编程范围	Ramps, cutoff velocity, backlash compensation, syringe speeds, loops, on-the-fly speed changes, terminate moves and delays, error detection, valve rotation selection, enhanced "h" Factor capabilities including valve rotation clockwise and counter-clockwise, 15 location method storage
操作环境和存储范围	
操作温度	59 °F (15 °C) to 104 °F (40 °C)
操作湿度	20% to 95% relative humidity, non-condensing
存储温度	-4 °F (-20 °C) to 149 °F (65 °C)
存储湿度	20% to 95% relative humidity, non-condensing

# HAMILTON®

## PSD/4 高精度微量注射泵



### 高精度高性价比特点

Hamilton PSD/4注射泵和公司其他产品一样，不但具有高精度、高稳定可靠性，更具有可完成所有标准移液操作，包括分液、连续分液和稀释的功能。独有的注射器，阀安装方式确保了系统的精度和长寿命。

# HAMILTON®

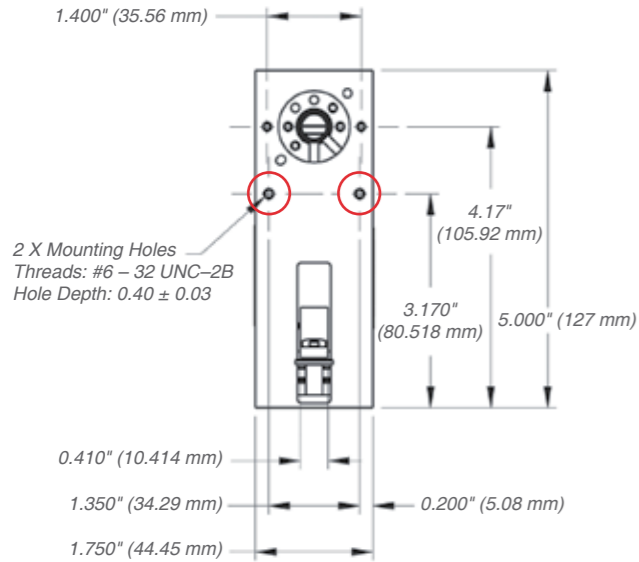


请关注我们

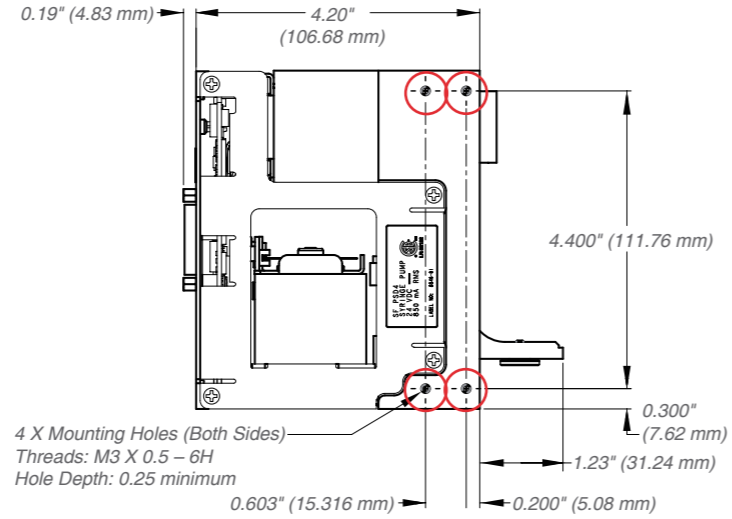
哈美顿（上海）实验器材有限公司  
上海市浦东新区盛夏路666号盛银大厦E座101室 (201210)  
电话: +86-21-6164-6567  
网址: www.hamiltoncompany.com

## PSD/4产品尺寸图

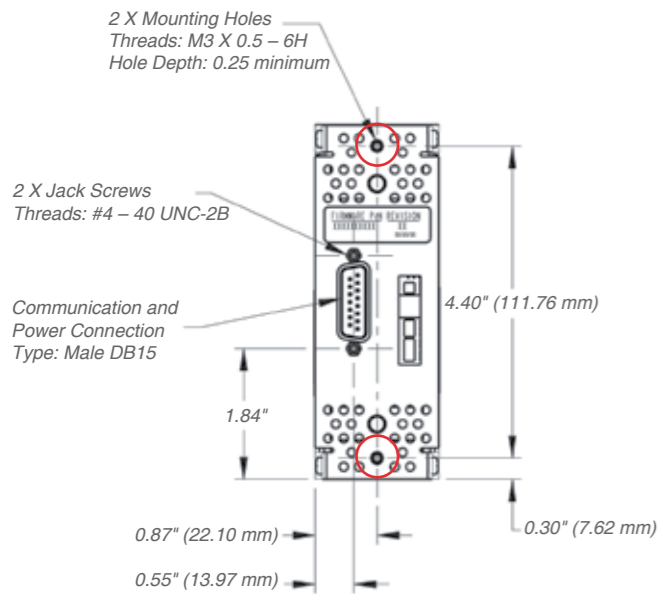
### 正面



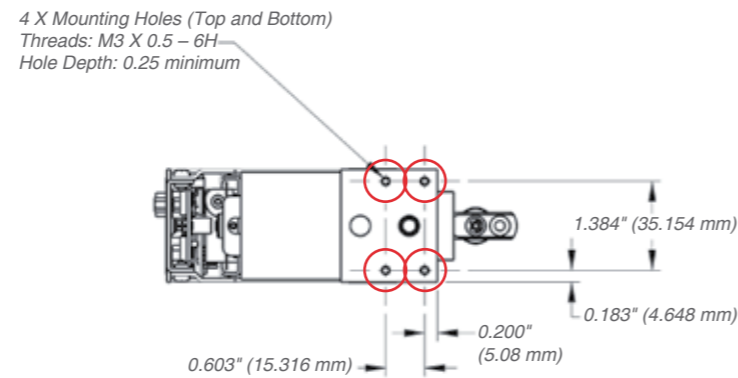
### 侧面



### 背面



### 顶部



## PSD/4高精度注射泵

Description	Part Number
PSD/4 Precision Syringe Pump	54848-01
PSD/4 Starter Kit Containing Software CD, Demo Communication Cable, Serial-to-USB Adapter, and Power Supply	64316-04



## 用于PSD/4 30mm注射泵

Volume	UHMW-PE P/N	PTFE P/N	Pressure Rating
12.5 µL	N/A	5495-10	
25 µL	8250-15	5495-15	
50 µL	8250-20	5495-20	1000 psig (68.9 bar)
100 µL	8250-22	5495-22	
125 µL	8250-25	5495-25	
250 µL	8250-30	5495-30	500 psig (34.5 bar)
500 µL	8250-35	5495-35	
1 mL	8250-37	5495-38	
1.25 mL	8250-40	5495-40	200 psig (13.8 bar)
2.5 mL	8250-45**	5495-45**	
5 mL	8250-50**	5495-50**	
12.5 mL	N/A	5495-55*	

\* Not compatible with 57252-01, 58889-01, 8778-01, 7992-01, and 7993-01.  
 \*\* Not compatible with 7992-01 and 7993-01. Use valve 59943-01 as a substitute for 7993-01.

## 用于PSD/4的阀



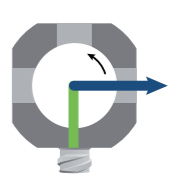
**Fluid Logic:** Y-Valve  
**Valve Description:** "Y" Flow Path  
 Two ports, plus syringe port  
**Ceramic Part Number:** 8778-01  
**PTFE/CTFE Part Number:** 57252-01\*



**Fluid Logic:** Y-Block  
**Valve Description:** Static non-switching Y-block  
**PTFE/CTFE Part Number:** 9537-01



**Fluid Logic:** 3-3  
**Valve Description:** "T" Flow Path  
 Two ports, plus syringe port  
**Ceramic Part Number:** 8063-01  
**PTFE/CTFE Part Number:** 58889-01



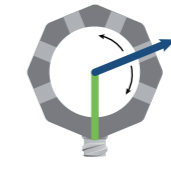
**Fluid Logic:** 3-5  
**Valve Description:** Distribution Flow Path  
 Three ports, plus syringe port  
**Ceramic Part Number:** 7991-01



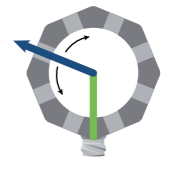
**Fluid Logic:** 4-2  
**Valve Description:** 90° Flow Path  
 Three ports, plus syringe port  
**Ceramic Part Number:** 9234-01



**Fluid Logic:** 4-5  
**Valve Description:** Distribution Flow Path  
 Four ports, plus syringe port  
**Ceramic Part Number:** 7992-01



**Fluid Logic:** 6-5  
**Valve Description:** Distribution Flow Path  
 Six ports, plus syringe port  
**Ceramic Part Number:** 9998-01



**Fluid Logic:** 8-5  
**Valve Description:** Distribution Flow Path  
 Eight ports, plus syringe port  
**Ceramic Part Number:** 7993-01, 59943-01

\* Valve 57252-01 has a 0.059" (1.499 mm) fluid path diameter.  
 All tubing connections are compatible with 1/4" x 28 flanged or flangeless fittings.  
 All valves have a pressure rating of 100 psi. Higher pressure ratings are available upon request.  
 All valve housings are aluminum. Stainless steel, CTFE, and PEEK housings are available as a custom option.

